

SEAL:

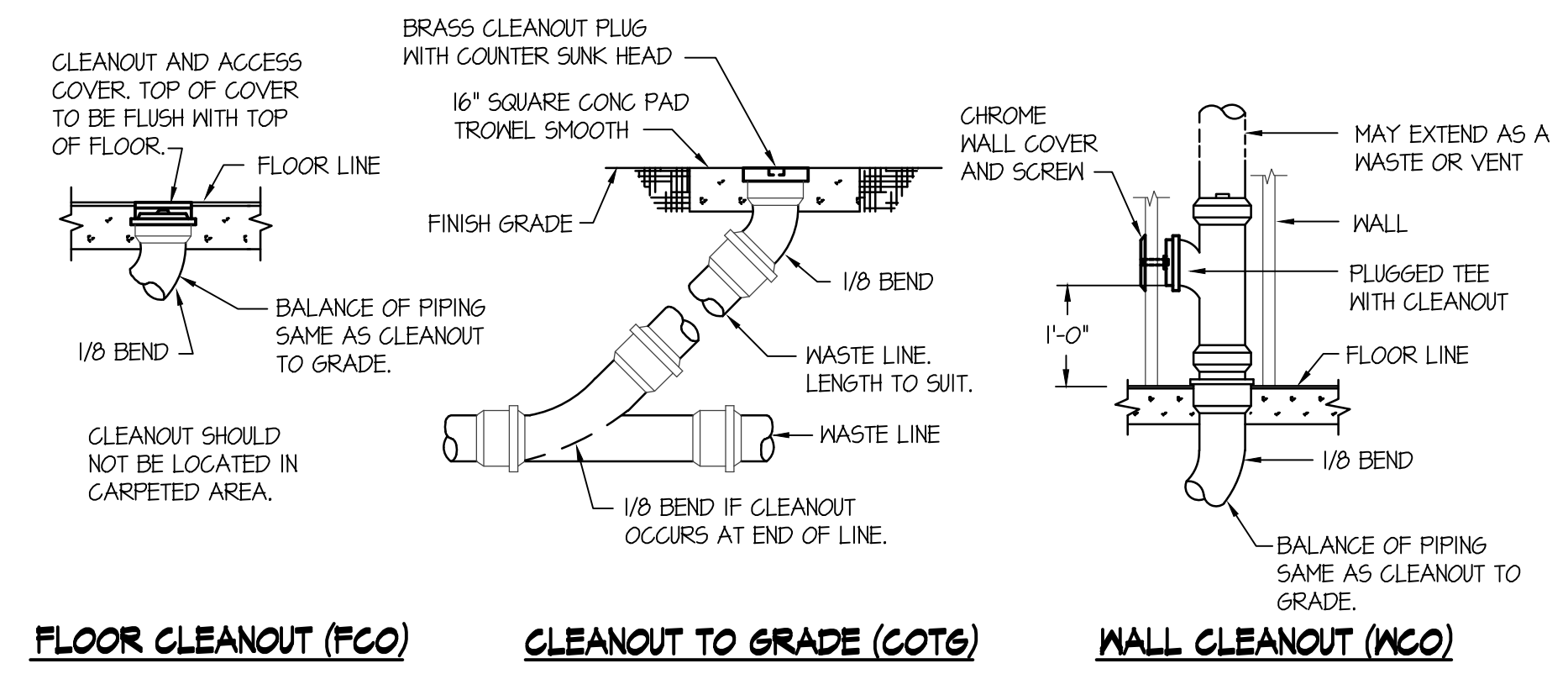
REV. DATE DESCRIPTION

PROJECT: New Tenant Improvement For:
KIER MANAGEMENT BUILDING
 1012 CHAMBERS STREET,
 SOUTH OGDEN, UTAH 84403

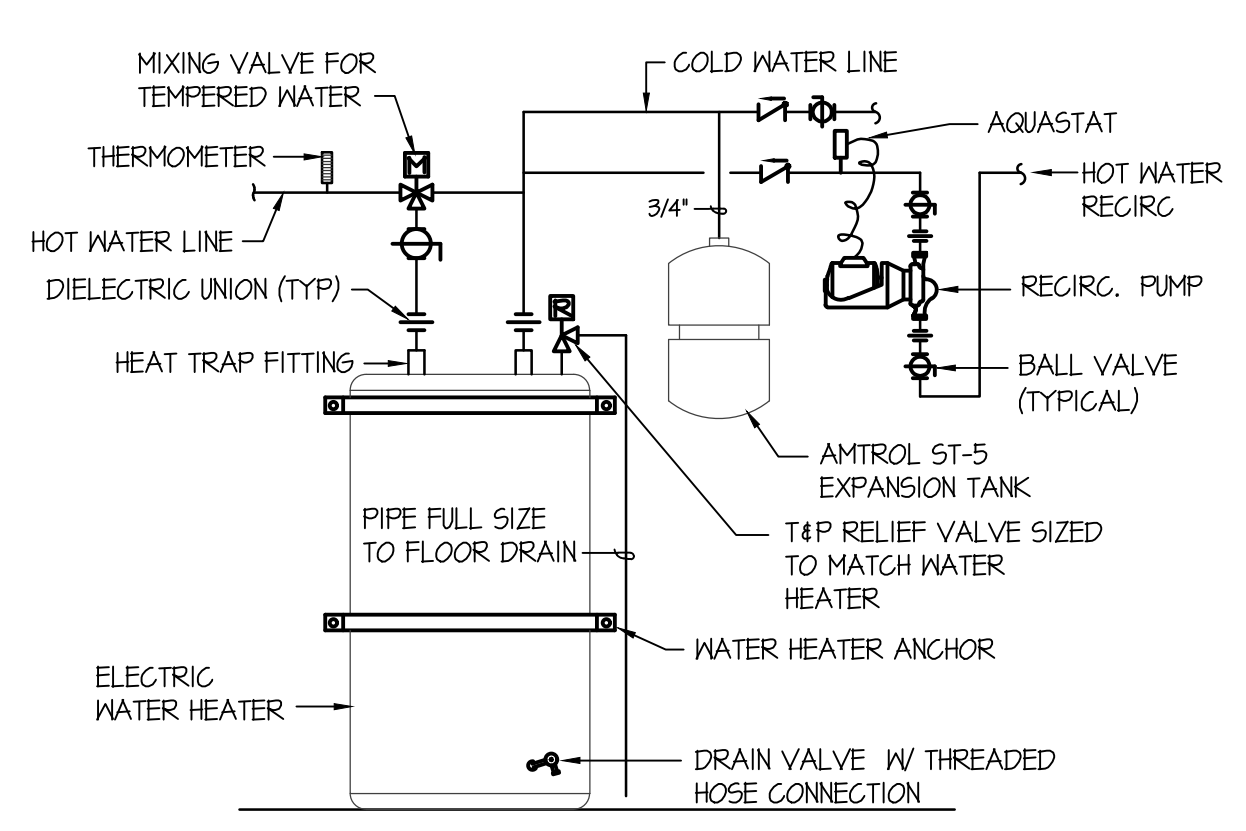
MOUNTAIN WEST ARCHITECTS | 543.25TH STREET - OGDEN, UT 84401 PH: 801-388-6052
 www.mountainwestarchitects.com

SHEET TITLE: **PLUMBING DETAILS AND SCHEDULES**

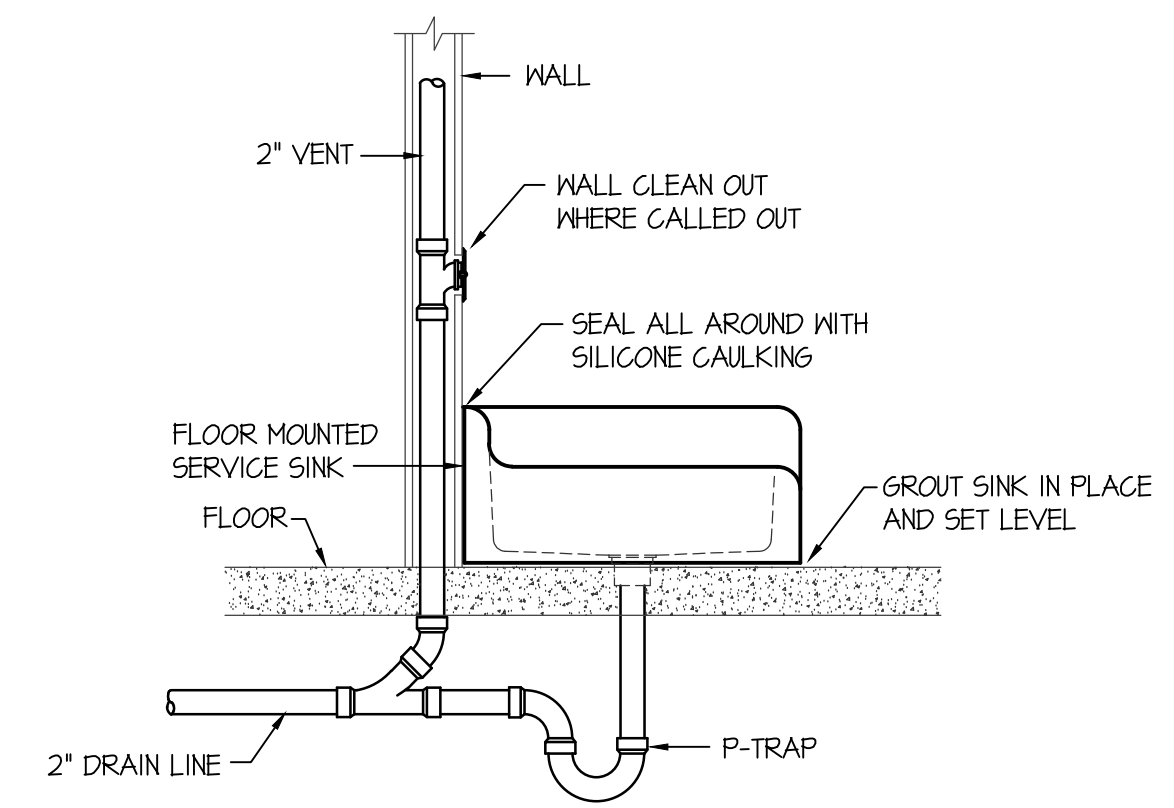
SHEET NUMBER: **P102**
 DO NOT SCALE DRAWING



CLEAN OUT DETAILS
 NO SCALE



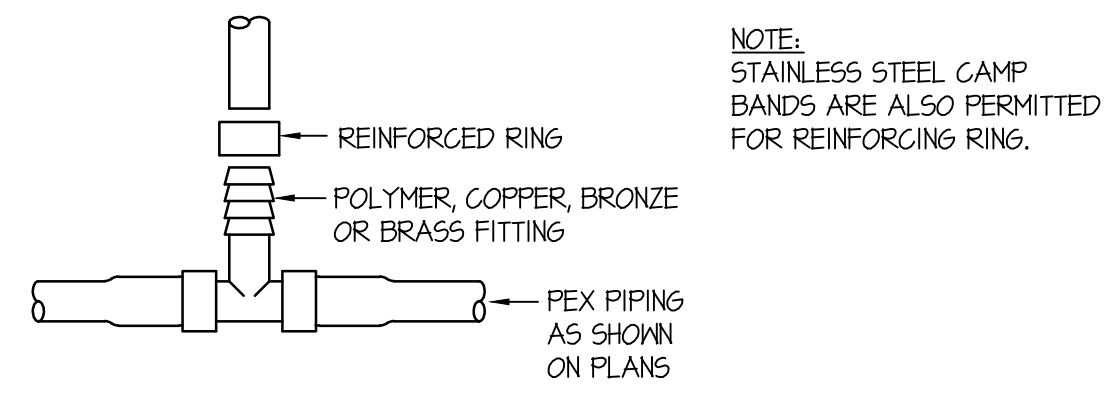
WATER HEATER PIPING DETAIL
 NO SCALE



SERVICE SINK INSTALLATION DETAIL
 NO SCALE

THIS TYPE (COLD EXPANSION) OF FITTING REQUIRES THAT THE PEX PIPING, WITH REINFORCING PEX RING PLACED OVER THE END OF THE END OF THE PIPE, IS EXPANDED BEFORE THE FITTING IS INSERTED INTO THE PIPE END. THE EXPANDED PIPE END IS ALLOWED TO RETRACT ONTO THE FITTING TO FORM THE SEAL. THE MEMORY OF THE PIPE ALLOWS IT TO TIGHTEN OVER THE FITTING. AN EXPANDER TOOL IS REQUIRED TO EXPAND THE PIPE AND THE PEX RING TOGETHER.

ALL JOINTS (TEES, ELBOWS, COUPLINGS, ETC.) ARE JOINTED SIMILARLY.

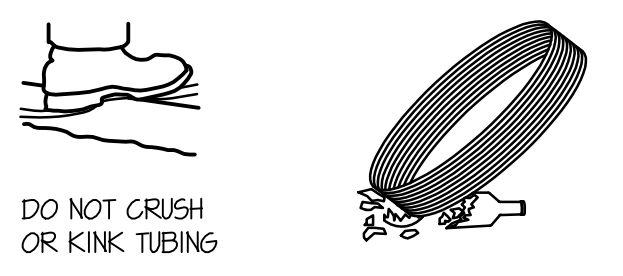


PEX PIPE FITTING DETAILS
 NO SCALE

KEEP TUBING A MINIMUM OF 12" VERTICALLY OR 6" HORIZONTALLY FROM SOURCES OF HIGH HEAT SUCH AS LIGHT FIXTURES, FLIES OR HEATING EQUIPMENT.
 NOTE: USE ONLY CONTINUOUS LENGTH TUBING (NO FITTINGS) WHEN INSTALLING PEX UNDER OR WITHIN A SLAB. PROTECT PEX TUBING WITH NONMETALLIC SLEEVES WHERE IT PENETRATES A SLAB OR FOUNDATION WALL.

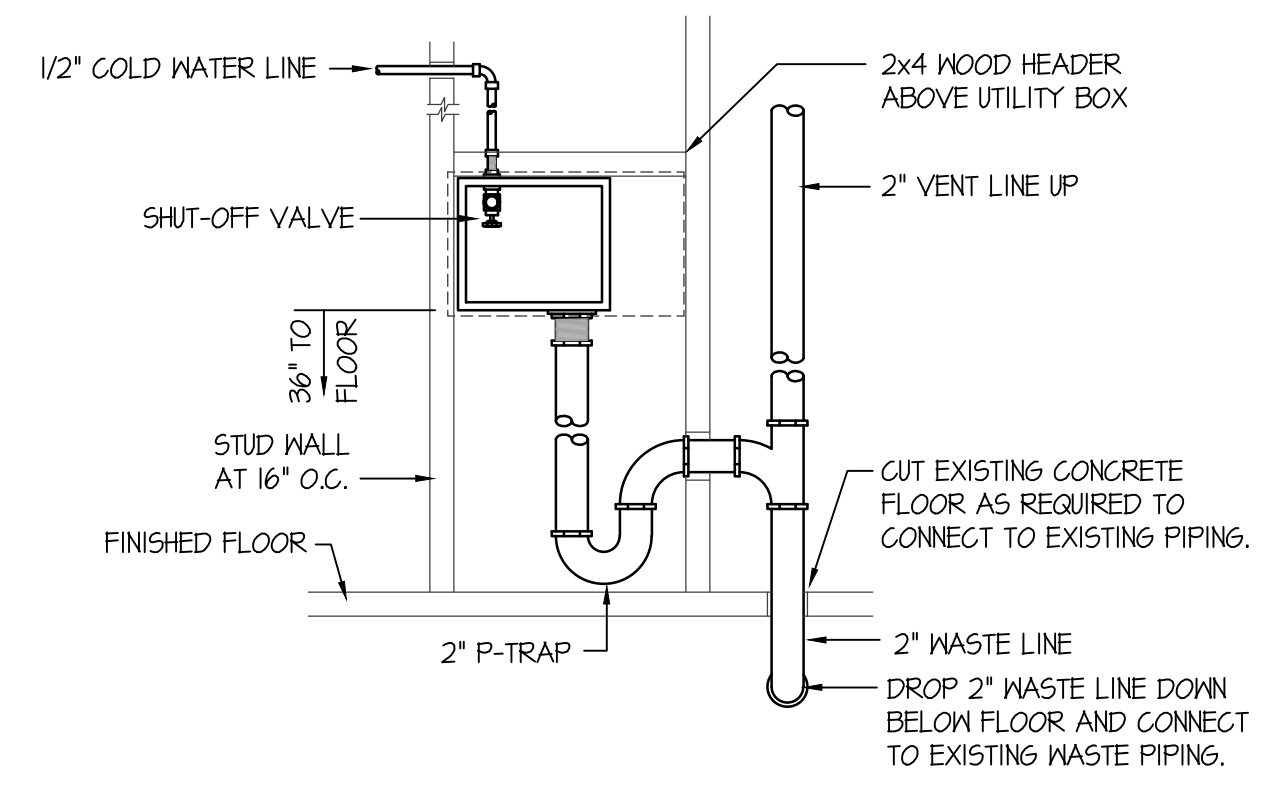
MIN. CLEARANCES

TUBING SIZE	MIN. RADIUS BENDING
3/8"	4"
1/2"	5"
3/4"	7"
1"	9"

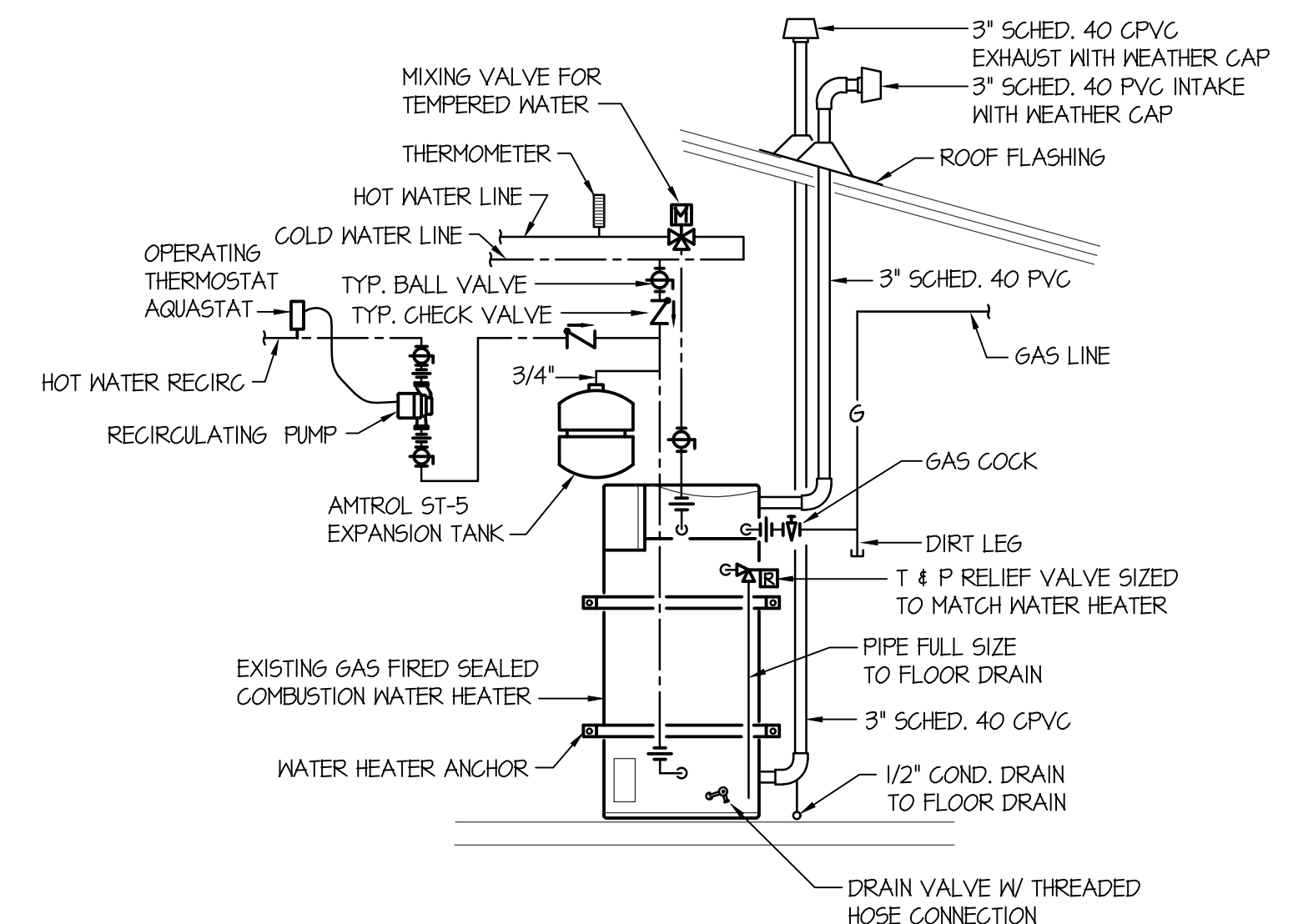


TUBING AND FITTINGS SHALL BE STORED UNDERCOVER FOR CLEANLINESS AND TO AVOID EXPOSURE TO SUNLIGHT. CONSULT MANUFACTURER FOR RECOMMENDED LIMITS TO OUTSIDE STORAGE.

PEX PIPE HANDLING DETAILS
 NO SCALE



ICE BOX PIPING DETAIL
 NO SCALE



GAS FIRED WATER HEATER PIPING DIAGRAM
 NO SCALE

FIXTURE SCHEDULE

SYM.	DESCRIPTION	HOT	COLD	WASTE	VENT
(DF-1)	DRINKING FOUNTAIN - ELKAY MODEL L250W6LP WITH BOTTLE FILLER STATION & FILTER FRONT PUSH BAR OPERATORS, 1/2" STOP, 1-1/2" P-TRAP AND FLEX-GUARD SAFETY BUBBLER VALVE.	---	1/2"	1-1/2"	1-1/2"
(JS-1)	FLOOR MOUNTED SERVICE SINK - FIAT MODEL 24EFS (24"x24") MOP SINK WITH FIAT B30AA FAUCET AND 2" DEEP SEAL P-TRAP AND STRAINER	1/2"	1/2"	2"	2"
(WB-1)	WASH BOX - OATEY POLY WASH BOX WITH 1/2" CN STOP VALVES 2" STANDPIPE WITH P-TRAP.	---	1/2"	2"	2"
(L-1)	ADA WALL HUNG LAVATORY - KOHLER K-2032 "GREENNICH" WITH WALL CARRIER, MOEN L4600 LEVER HANDLE FAUCET, K-T115 OPEN GRID STRAINER WITH OFFSET WASTE LINE, 1/2" STOPS AND 1-1/4" P-TRAP. PROVIDE INSULATING JACKET ON HW AND WASTE PIPING.	1/2"	1/2"	1-1/2"	1-1/2"
(L-2)	ADA COUNTERTOP LAVATORY - KOHLER MODEL K-2405-4 SELF-RIMMING "FARMINGTON" WITH MOEN L4600 LEVER FAUCET, K-T115 OPEN GRID STRAINER, 1/2" BALL STOPS AND 1-1/4" P-TRAP. PROVIDE INSULATING JACKET ON HW & DRAIN UNDER LAVATORY.	1/2"	1/2"	1-1/2"	1-1/2"
(L-3)	COUNTERTOP LAVATORY - KOHLER MODEL K-2405-4 SELF-RIMMING "FARMINGTON" WITH MOEN L4600 LEVER FAUCET, K-T115 OPEN GRID STRAINER, 1/2" BALL STOPS AND 1-1/4" P-TRAP.	1/2"	1/2"	1-1/2"	1-1/2"
(RP-1)	RECIRCULATING PUMP - GRUNDFOS MODEL UP15-10B1 BRONZE PUMP WITH 3/4" FLANGES (2 GPM @ 5' OF HEAD) 120/160/1. SEE DETAIL ON THIS SHEET.	1/2"	1/2"	---	---
(S-1)	DOUBLE COMPARTMENT SINK - ELKAY MODEL 3322 WITH 4 HOLE DRILLING CONFIGURATION, (2) LK-35 DUO-STRAINERS, 1/2" STOPS, 1-1/2" P-TRAP, LK6000 GOOSENECK FAUCET WITH SINGLE LEVER HANDLE, ULL-DOWN SPRAY, AND OPTIONAL 3-HOLE ESCUTCHEON. COORDINATE WITH OWNER ON STAND ALONE HOT WATER SPIGOT SYSTEM.	1/2"	1/2"	1-1/2"	1-1/2"
(U-1)	ADA WALL MOUNTED URINAL - KOHLER K-4484-T "FRESHMAN" WITH WALL CARRIER & SLOAN OPTIMA BATTERY OPERATED FLUSH VALVE. MOUNT AT ADA HEIGHT.	---	3/4"	2"	2"
(WH-1)	GAS WATER HEATER - A.O. SMITH MODEL 6PVX-50L HEATER WITH 120 VOLT POWER CORD, AMTROL ST-5 EXPANSION TANK, T&P VALVE, 50,000 BTU INPUT.	3/4"	3/4"	---	---
(WC-1)	ADA TANK TYPE WATER CLOSET - KOHLER K-3421 "HIGHLINE" W/ ELONGATED BOWL, K-4610-C WHITE OPEN FRONT SEAT, BOLT CAPS AND 1/2" STOP VALVE. RH OR LH TANK LEVER AS PER PLANS FOR ADA.	---	1/2"	4"	2"
(WC-2)	TANK TYPE WATER CLOSET - KOHLER K-3422 "WELLNORTH" W/ ELONGATED BOWL, K-4610-C WHITE OPEN FRONT SEAT, BOLT CAPS AND 1/2" STOP VALVE.	---	1/2"	4"	2"

GENERAL NOTES:

- A- THE CONTRACTOR SHALL CHECK AND VERIFY ALL DIMENSIONS AND CONNECTIONS ON THE JOB SITE. ALL WORK SHALL BE EXECUTED FROM MEASUREMENTS TAKEN AT THE SITE.
- B- THE MECHANICAL CONTRACTOR SHALL BE RESPONSIBLE TO INSURE PROPER CODE CLEARANCES FOR ELECTRICAL AND MECHANICAL ACCESS WHEN INSTALLING ANY EQUIPMENT SUPPLIED BY THE MECHANICAL CONTRACTOR.
- C- IT IS CRITICAL THAT THIS CONTRACTOR COORDINATE EQUIPMENT LOCATIONS WITH PIPING, DUCTWORK, ELECTRICAL CONDUIT AND BUILDING STRUCTURE TO INSURE CODE COMPLIANCE.
- D- CEILING DIFFUSERS ARE SHOWN IN APPROXIMATE LOCATIONS. REFER TO LIGHTING PLANS AND REFLECTED CEILING PLAN FOR EXACT LOCATIONS.
- E- DUCT DIMENSIONS CALLED OUT ON DRAWINGS ARE INSIDE FREE AREA DIMENSIONS. ACOUSTICAL DUCT LINER ARE TO BE ADDED TO OVERALL MEASUREMENTS.
- F- ALL DUCTWORK AND PIPING WHICH PASSES THRU FIRE RATED WALLS TO BE FIRE STOPPED WITH APPROVED FOAM OR SEALANT. REFER TO SPECIFICATIONS FOR APPROVED MANUFACTURERS.

PLUMBING LEGEND

SYMBOL	DESCRIPTION
V	VENT THRU ROOF
CO	CLEANOUT
WCO	WALL CLEANOUT
COTG	CLEANOUT TO GRADE
—	PIPE DROP
—	PIPE RISE
—	BALL TYPE ISOLATION VALVE
---	SOIL OR WASTE PIPING
---	VENT LINE PIPING
---	DOMESTIC COLD WATER PIPING
---	DOMESTIC HOT WATER PIPING
---	HOT WATER RECIRC. PIPING
---	GAS PIPING
---	CONDENSATE DRAIN PIPING
---	ROOF DRAIN PIPING
---	ROOF OVERFLOW DRAIN PIPING

REGISTERED PROFESSIONAL ENGINEER
 No. 322307
DWAYNE C. SUDWEEKS
 STATE OF UTAH

Engineered Systems Associates
 1355 EAST CENTER
 POCATELLO, IDAHO 83201
 PHONE: (208) 233-0501
 FAX: (208) 233-0529
 EMAIL: esa@engsystems.com
 ESA JOB NUMBER: 19010

TENANT IMPROVEMENT SET